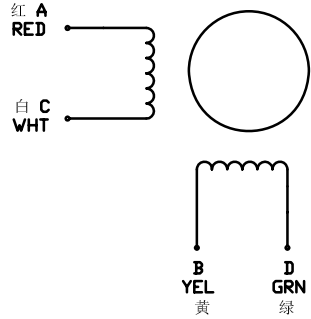
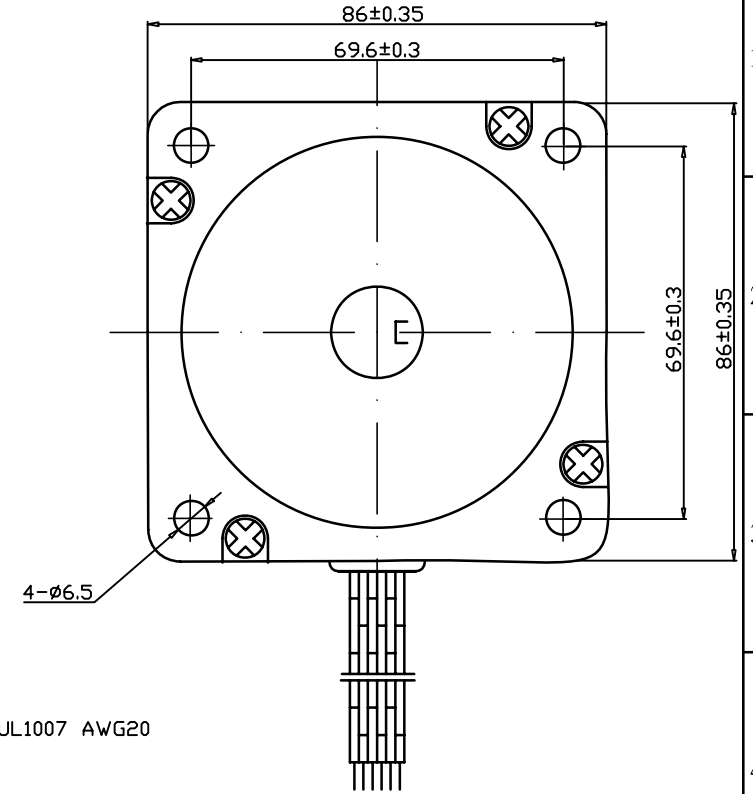
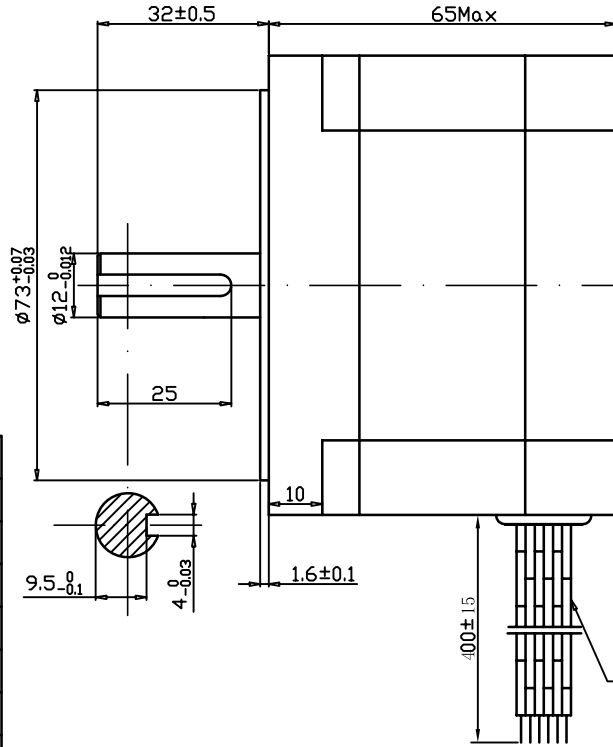


接线图  
Wiring Diagram



规格 SPECIFICATIONS

1	相数 Number of Phase	2
2	步距角 Step Angle	1.8° ±5%
3	保持力矩 Holding Torque	34 kg.cm
4	电压 Voltage	1.92 VDC
5	电流 Current	4.0 A
6	相电阻 Phase Resistance (20°C)	0.48 ±10%Ω
7	相电感 Phase Inductance (1KHz)	3.5 ±20% mH
8	转子惯量 Rotor Inertia	g • cm <sup>2</sup>
9	绝缘电阻 Insulation Resistance	100MΩ 500VDC
10	绝缘等级 Insulation Class	B (130°C)
11	环境温度 Ambient Temperature	-20°C to 50°C
12	环境湿度 Ambient Humidity	15% to 95%
13	电机重量 Motor Weight	Approx xx kg
14		

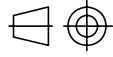


励磁顺序 (2相励磁)

EXITING SEQUENCE (2 PHASE)

STEP	A	B	$\bar{A}$	$\bar{B}$	CCW
1	+	+	-	-	↑
2	-	+	+	-	
3	-	-	+	+	
4	+	-	-	+	↓

Unit:mm  
第一角画法  
First angle method  
未注线性与角度尺寸公差  
Tolerances for linear and angular dimensions without individual tolerance indications  
GB/T 1804-m eqv ISO 2768-1:m  
未注形状与位置尺寸公差  
Geometrical tolerances for features without individual tolerance indications  
GB/T 1184-k eqv ISO 2768-2:k



设计 DESIGN

校核 CHECK

工艺 TECHNOLOGY

标准化 STANDARD

批准 APPROVE

**METALTEX**

TYPE: HYBRID STEPPING MOTOR SCALE XX Rev. 1.1 SHEET 1 OF 1

Model: **MP86-P065**

NAMES SINGATURE DATE

6  
V1.1  
V1.0  
REV.

A | B | C | D | E | F | G | H